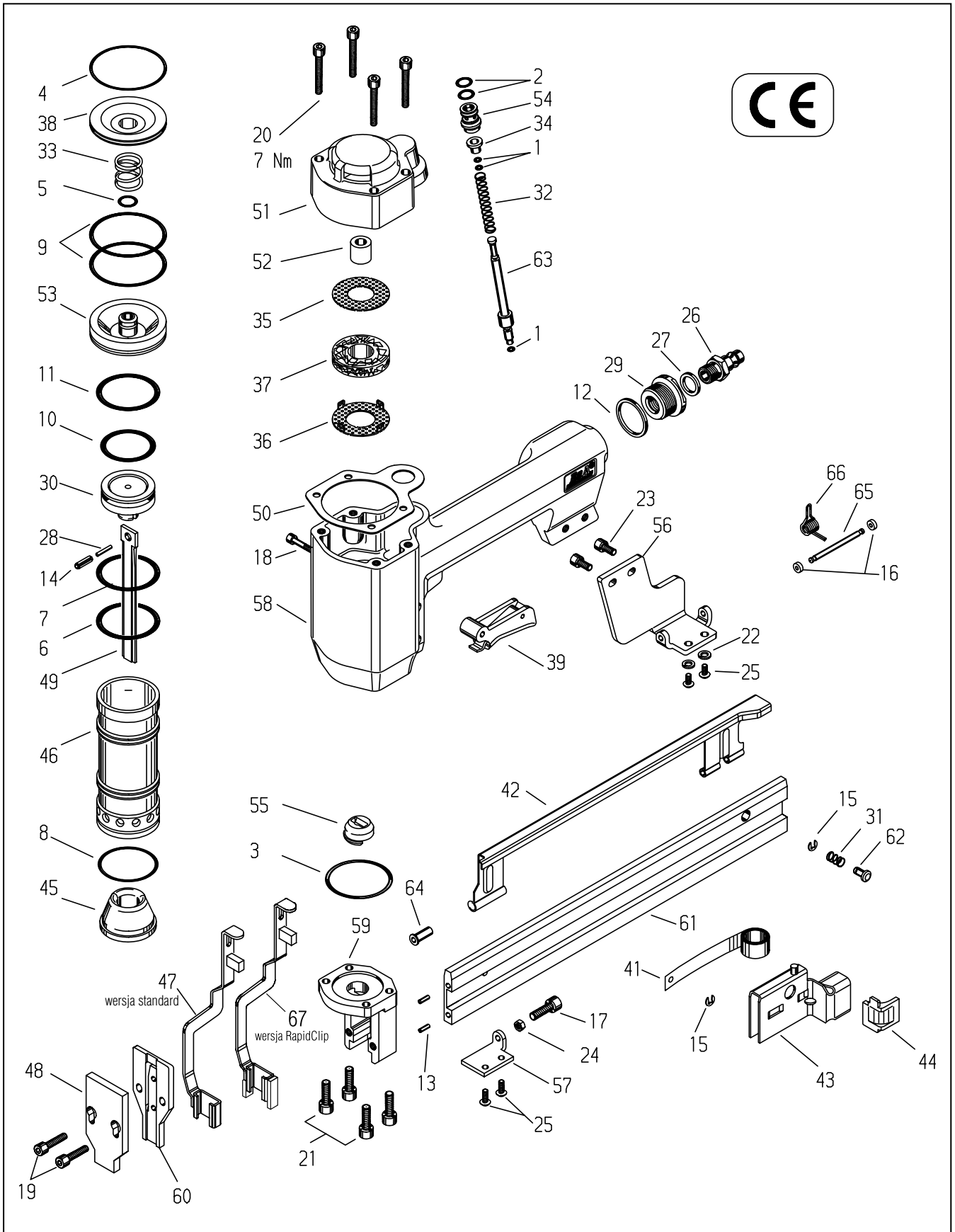


Typ 14/40-723C (Art.-Nr. 12000344)
Type 14/40-723C RapidClip



BeA Gruppe, Bogenstraße 43 - 45, 22926 Ahrensburg/Germany, Telefon +49 (0) 4102 78-0, Telefax +49 (0) 4102 78400 - 319
<http://www.bea-group.com>

BizeA Sp. z o.o. Tomice, ul. Europejska 4, 05-532 Baniocha, Poland
tel.: +48 22 244 17 00 ; fax: +48 22 244 52 77 ;
www.bizea.pl , e-mail: info@bizea.com.pl

Serwis: tel. +48 22 244 17 26
serwis@bizea.com.pl

BeA - Druckluftnagler Typ 14/40-723C deutsch

[1] Abmessungen: L = 367; H = 228; B = 70 mm;

[2] Gewicht: 2,14 kg.

[3] Zulässiger Luftdruck: 8 bar,

[4] empfohlener Betriebsdruck: 5 - 8 bar.

[5] Luftverbrauch pro Eintreibvorgang bei 6 bar:
1,0 l freie Luft.

[6] Eintreibgegenstand: Industrieklammern Typ 14 +
16 (155) in den Längen von 18 bis 40 mm.

[7] A-bewerteter Einzelereignis- Schalleistungspegel

$L_{Wa, 1s} = 89 \text{ dB}$

[8] A-bewerteter Einzelereignis- Emission Schalldruckpegel
am Arbeitsplatz $L_{pA, 1s} = 83 \text{ dB}$

[9] *Vibrationskennwert 4,1 m/s.

Diese Ersatzteilliste/Servicehinweise bildet mit dem beiliegenden Benutzer-Handbuch die Betriebsanleitung. Bitte vor Inbetriebnahme aufmerksam lesen und Sicherheitshinweise unbedingt beachten.

English

BeA Pneumatic Stapler Type 14/40-723C

This Spare parts list/service instructions and the enclosed Operator's Manual constitute the Operating Instructions. Before using read both and strictly observe safety instructions.

In the German section of the spare parts list the technical data are listed under codes [] (also see User Manual).

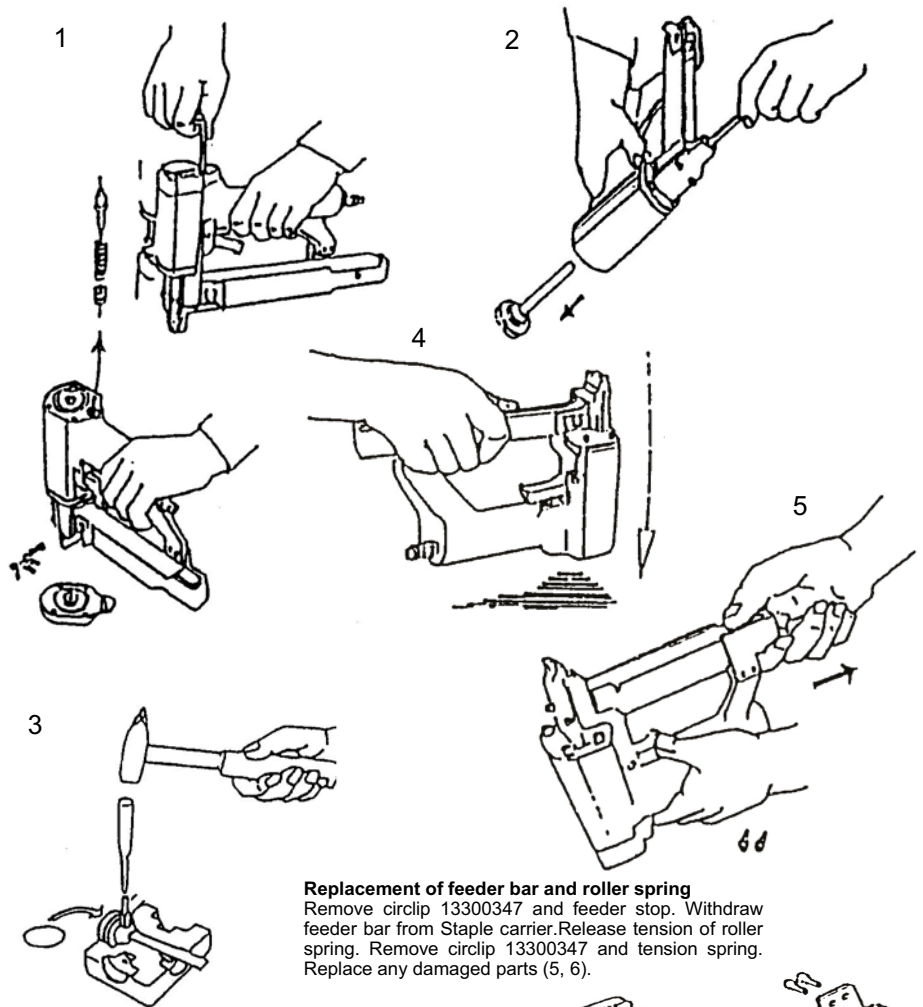
Attention! Always disconnect the tool from its air supply and empty magazine before attempting any repair. Always fix the cap with a torque wrench adjusted to 7 Nm.

Removing piston and driver blade

Take out 4 bolts 13301126 and remove the complete cap and valve shaft (fig. 1). The piston with driver blade can now be removed by using a spare driver blade and pushing them from below (fig. 2). Use a pin punch 3.5 mm diameter and BeA mounting block 14401094 for removing the pin 14401573 and split pin 13300260 (fig. 3). Any damaged parts must be replaced. Before refitting, the piston O-ring should be greased with BeA special grease 13301706.

Changing of bumper and cylinder

Take off bolts 13301137, 13301110 and 13301117 now remove magazine. Take out piston-driver set and bumper. Gently tap the housing on a wooden surface. By the impact, the cylinder will come out and can easily be removed from the housing. Replace the damaged parts and grease before refitting.

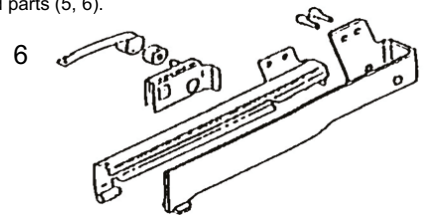


Replacement of feeder bar and roller spring

Remove circlip 13300347 and feeder stop. Withdraw feeder bar from Staple carrier. Release tension of roller spring. Remove circlip 13300347 and tension spring. Replace any damaged parts (5, 6).

Changing of O-rings on valve system

Remove the cap as described above. Take main valve 14404548 out of the cap and replace worn O-rings. Grease O-rings with special BeA grease 13301706.



1	O-Ring	13300002	27	Dichtscheibe Gasket	14400063	43	Vorschieber Pusher	14405884	55	Treiberführung Driver guide	14404575
2	O-ring	13300008	28	Stift Pin	14401573	44	Rollfederführung Support for roller spring	14404616	56	Lasche Hook plate	14405505
3		13302610	29	Reduzierstück Reducing bush	14401608	45	Puffer Bumper	14404482	57	Lasche, vorne Hook plate	14405506
4		13300029	30	Kolben Piston	14401659	46	Zylinder Cylinder	14404493	58	Gehäuse Body	14405498
5		13300042	31	Druckfeder Pressure spring	14404618	47	Auslösesicherung Safety yoke	14404503	59	Kopfstück Nose housing	14405504
6		13300085	32		14402119	48	Werkzeug Teil 1 Front nose	14404505	60	Werkzeug Teil 2 Back nose	14405509
7		13300113	33		14403598	49	Treiber Driver blade	14404511	61	Klammerträger Staple carrier	14405508
8		13300118	34	Federteller Disc	14402118	50	Dichtscheibe Gasket	14404540	62	Vorschieberarretierung Pusher stop	14405507
9		13300119	35	Lochblech Perforated plate	14403585	51	Kappe Cap	14404545	63	Ventilstange Valve shaft	14405497
10		13300130	36		14404543	52	Stopfen Post cap	14404547	64	Buchse Nozzle	14404607
11		13300147	37	Schalldämpfer Silencer	14403589	53	Hauptventil Main valve	14404548	65	Bolzen Bolt	14404610
12	Dichtring Gasket	13300159	38	Kappeneinsatz Cap insert	14403592	54	Ventilbuchse Valve bush	14404551	66	Schenkelfeder Leg spring	14404611
13	Zylinderstift Pin	13300197	39	Ventilhebel Trigger	14404337				67	Auslösesicherung mit RapidClip-Anschlag Safety yoke - RapidClip	31910000
14	Spannhülse Split pin	13300260	40	Rollfeder Roller spring	13301614						
15	Sicherungsscheibe Clips	13300347	41	Abdeckschiene Cover	14404606						
16	Circlip Clip	13300354									
17	Zylinderschraube Allen bolt	13301107									
18		13301110									
19		13301120									
20		13301126									
21		13301137									
22	Federring Spring washer	13300373									
23	Schraube Screw	13301117									
24	Sechskantmutter Hexagon nut	13301355									
25	Linsenschraube Lens head screw	13301774									
26	Anschlußnippel Air hose connector	14000248									

Made in Germany